

RELY ON EXCELLENCE

MG1

Mechanical seals | Mechanical seals for pumps | Elastomer bellows seals



Features

- For plain shafts
- Single and dual seal
- Elastomer bellows rotating
- Balanced
- Independent of direction of rotation
- No torsion on bellows

Advantages

- Shaft protection over entire seal length
- Protection of seal face during installation due to special bellows design
- Insensitive to shaft deflections due to large axial movement ability
- Universal application opportunities
- Important material certifications available
- High flexibility due to wide offer on materials
- Suitable for low-end sterile applications
- Special design for hot water pumps (RMG12) available
- Dimension adaptations and additional seats available

Operating range

Shaft diameter:
 $d_1 = 10 \dots 100 \text{ mm (0.39" ... 3.94")}$
 Pressure: $p_1 = 16 \text{ bar (230 PSI)}$,
 vacuum ... $0.5 \text{ bar (7.25 PSI)}$,
 up to 1 bar (14.5 PSI) with seat locking
 Temperature: $t = -20 \text{ °C ... +140 °C}$
 $(-4 \text{ °F ... +284 °F})$
 Sliding velocity: $v_g = 10 \text{ m/s (33 ft/s)}$
 Admissible axial movement: $\pm 2.0 \text{ mm } (\pm 0,08")$

Materials

Seal face: Carbon graphite antimony impregnated (A), Carbon graphite resin impregnated (B), Silicon carbide (Q1, eSiC-Q7)
 Seat: Silicon carbide (Q1, eSiC-Q7), Tungsten carbide (U3)
 Elastomer: NBR (P), EPDM (E), FKM (V), HNBR (X4)
 Metal parts: CrNiMo steel (G), Hastelloy® (M)

Further materials upon request.

Standards and approvals

- EN 12756 (MG12, MG13)

Various material approvals available (depending on type and material combinations).

Please inquire!

- FDA
- WRAS
- KTW
- ACS
- W270
- NSF

Notes

The MG1 can also be used as a multiple seal in tandem or in a back-to-back arrangement. Installation proposals available upon request.

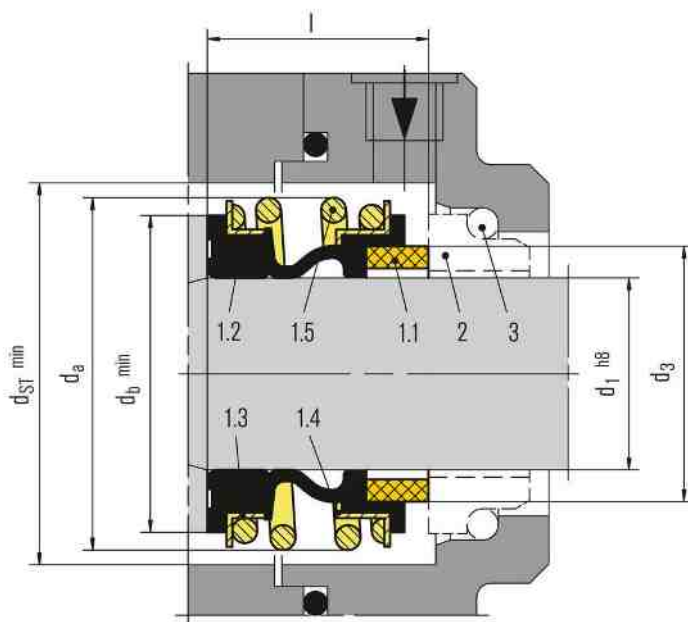
Dimension adaptations for specific conditions, e.g. shaft in inches or special seat dimensions are available upon request.

Recommended applications

- Fresh water supply
- Building services engineering
- Waste water technology
- Food technology
- Sugar production

RELY ON EXCELLENCE

- Pulp and paper industry
- Oil industry
- Petrochemical industry
- Chemical industry
- Water, waste water, slurries (solids up to 5 % by weight)
- Pulp (up to 4 % otro)
- Latex
- Dairies, beverages
- Sulfide slurries
- Chemicals
- Oils
- Chemical standard pumps
- Helical screw pumps
- Stock pumps
- Circulating pumps
- Submersible pumps
- Water and waste water pumps
- Oil applications



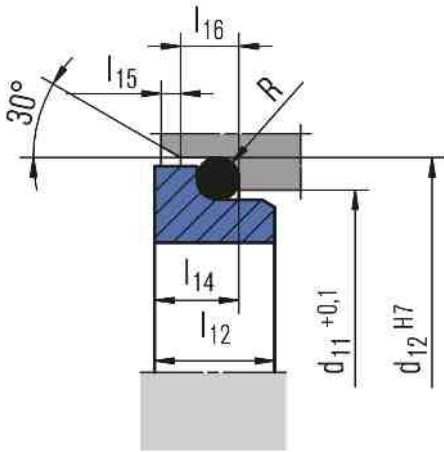
Item Part no. to Description
DIN 24250

1.1	472	Seal face
1.2	481	Bellows
1.3	484.2	L-ring (spring collar)
1.4	484.1	L-ring (spring collar)
1.5	477	Spring
2	475	Seat
3	412	O-Ring or cup rubber

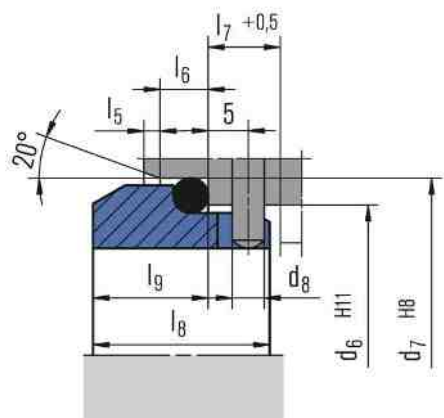
RELY ON EXCELLENCE

Seat alternatives

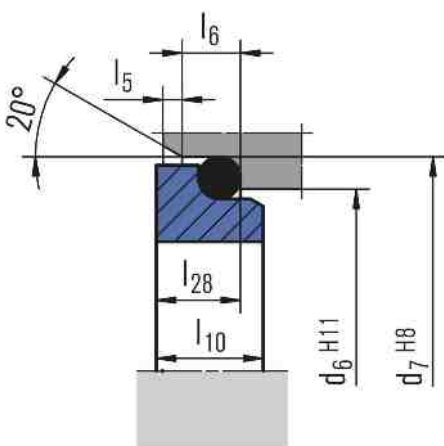
RELY ON EXCELLENCE



G4

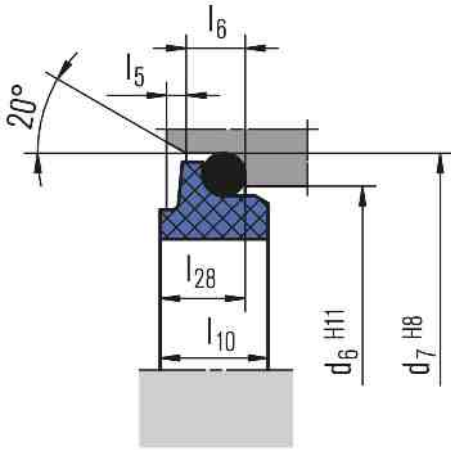


G9
EN 12756

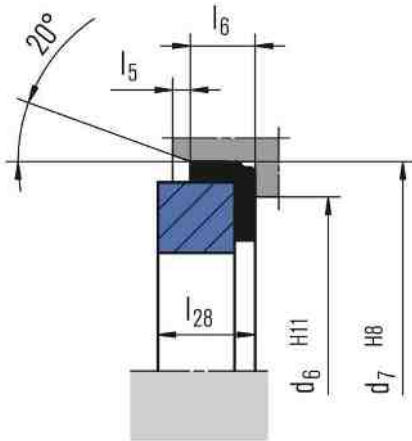


G6
EN 12756

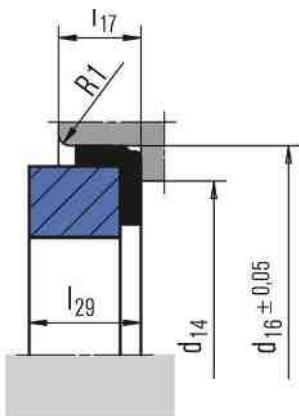
RELY ON EXCELLENCE



G606
EN 12756
(for RMG12 only)



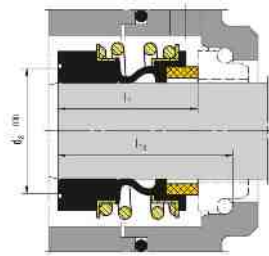
G60
EN 12756



G50
Euro-Standard

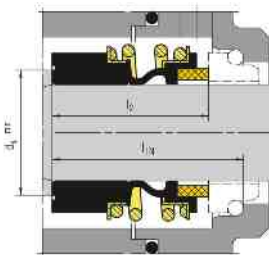
RELY ON EXCELLENCE

Product variants



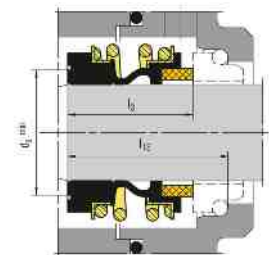
MG12

Dimensions, items and designations same as for MG1, but with an extended bellows tail to achieve the fitting length l_{1k} according to EN 12756 in combination with seat G6 or G60 (d_a exceeds EN 12756).



MG13

Dimensions, items and designations same as for MG1, but with an extended bellows tail to achieve the fitting length l_{1N} according to EN 12756 in combination with seat G6 or G60 (d_a exceeds EN 12756).



MG1S20

Dimensions, items and designations same as for MG1, but with an extended bellows tail to achieve the special fitting length l_{1S} in combination with seat G50.

RELY ON EXCELLENCE

Dimensions in millimeter

Fitting length/axial movement tolerances: d_1 10 ... 12 mm ± 0.5 ; d_1 14 ... 18 mm ± 1.0 ; d_1 20 ... 26 mm ± 1.5 ; d_1 28 ... 100 mm ± 2.0

* Minimum diameter of the mating collar